

VALOR FIRES

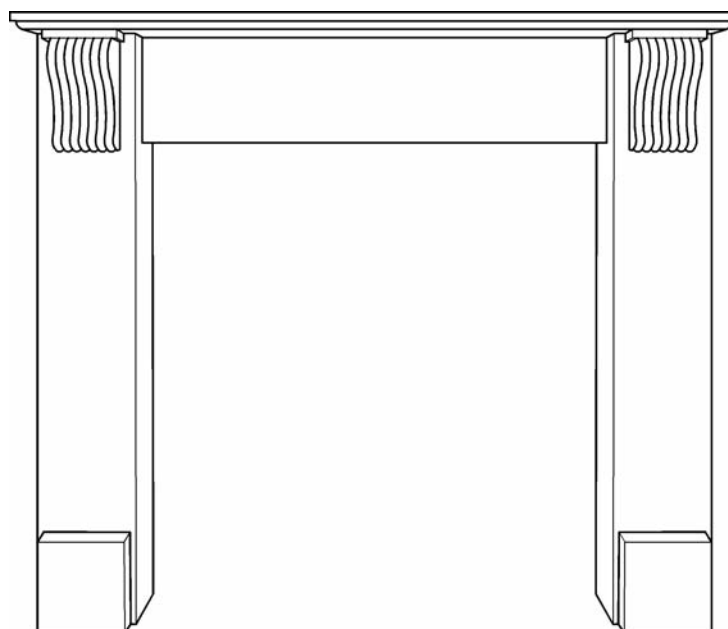
INSTALLATION GUIDE

 **Solo-pro** marble™

Sotherby

Surround / Mantle set

This surround is designed to be fitted with a back panel that has a maximum depth of 25mm



This guide should be read in conjunction with the installer and owner guide supplied with the heater / fire.

This guide is intended to help you install your surround. Please read carefully before installing. However, if further information is required, our **Valor Fires Technical Helpline** will be pleased to help.

Telephone **0844 8711 565** (National call rates apply in the United Kingdom)
In the Republic of Ireland call **0044 844 8711 565**.

Important: Please keep your guide in a safe place for future reference.

INSTALLATION GUIDE

© Baxi Heating U.K. Limited 2008.

All rights reserved. No part of this publication may be reproduced in any material form (including photocopying), stored in any medium by electronic means (including in any retrieval system or database) or transmitted, in any form or by any means, whether electronic, mechanical, recording or otherwise, without the prior written permission of the copyright owner.

Applications for the copyright owner's permission to reproduce any part of this publication should be made, giving details of the proposed use, to the following address: The Company Secretary, Baxi Heating UK Limited, The Wyvern Business Park, Stanier Way, Derby, DE21 6BF.

Warning: Any person who does any unauthorised act in relation to a copyright work may be liable to criminal prosecution and civil claims for damages.

VALOR FIRES

Valor Fires, Erdington, Birmingham B24 9QP
www.firesandstoves.co.uk

Because our policy is one of constant development and improvement, details may vary slightly from those given in this publication

INSTALLATION GUIDE

INTRODUCTION

Solo-pro - The first real stone solution you can fit yourself.

An innovation in fireplace solutions, Solo-pro has all the natural beauty of real marble or granite, without the weight, complications or expense.

Real stone fireplaces look undeniably beautiful, but they are expensive, heavy and are normally only fitted by a specialist. In the past, your only alternative was bonded marble, which sacrificed beauty over cost and convenience. But today, thanks to the Solo-pro innovation, you can have the best of both worlds - the true beauty of marble and the simplicity of a fit-it-yourself solution.

Using a revolutionary new technique, Solo-pro marble uses a natural marble veneer, giving you a fireplace that not only looks stunning but can be fitted simply, quickly and without expert help.

All natural stone is subject to inherent shakes, veins and fissures. Some marbles have open veins, which may require filling or reinforcing. This should not be regarded in any way as a defect. Natural stone is subject to variations of graining, random pitting and fossil marking: this should be regarded as a feature of stone not a defect.

Each marble has its own unique characteristics and will vary in colour, shading and veining. Its composition is unique and reflects the geological conditions present when it was formed.

The veins and fissures of solid marble can produce wonderful effects in classical architecture but this can be disproportionate in the smaller rooms that we have now.

Natural marble and granite is porous and can be affected by alkalines and acids. A feature of natural marble is its individual colour quality and veining. Colour matching cannot always be guaranteed to samples.

Natural stone is virtually maintenance free, when sealed correctly. The use of the correct sealant is very important, as it protects the stone tile by forming a barrier against dirt and stains. Untreated marble or granite is surprisingly porous and can therefore stain if it comes into contact with deeply coloured liquids if left uncleaned.

Notice: Please ensure that you seal your product with a marble, granite or stone sealant at the earliest opportunity.

We do recommend that spills are mopped up as soon as possible and that any damage to the surface is treated by a professional to restore the polish and seal.

INSTALLATION GUIDE

SAFETY

- When drilling into brick work always wear safety goggles, a dust mask, and always work in a well ventilated area.
- Keep children clear of work area especially when assembling the surround / mantle.
- Always read the installer and owner guide supplied with the heater / fire. This guide should be read in conjunction with those supplied with the heater / fire.
- Always tidy loose electrical leads in the work area.
- Always switch off electric power when not needed.
- The surround must always be fixed into position.

HANDLING AND UNPACKING

Before continuing any further with the installation of this surround please read the following:

Important instructions.

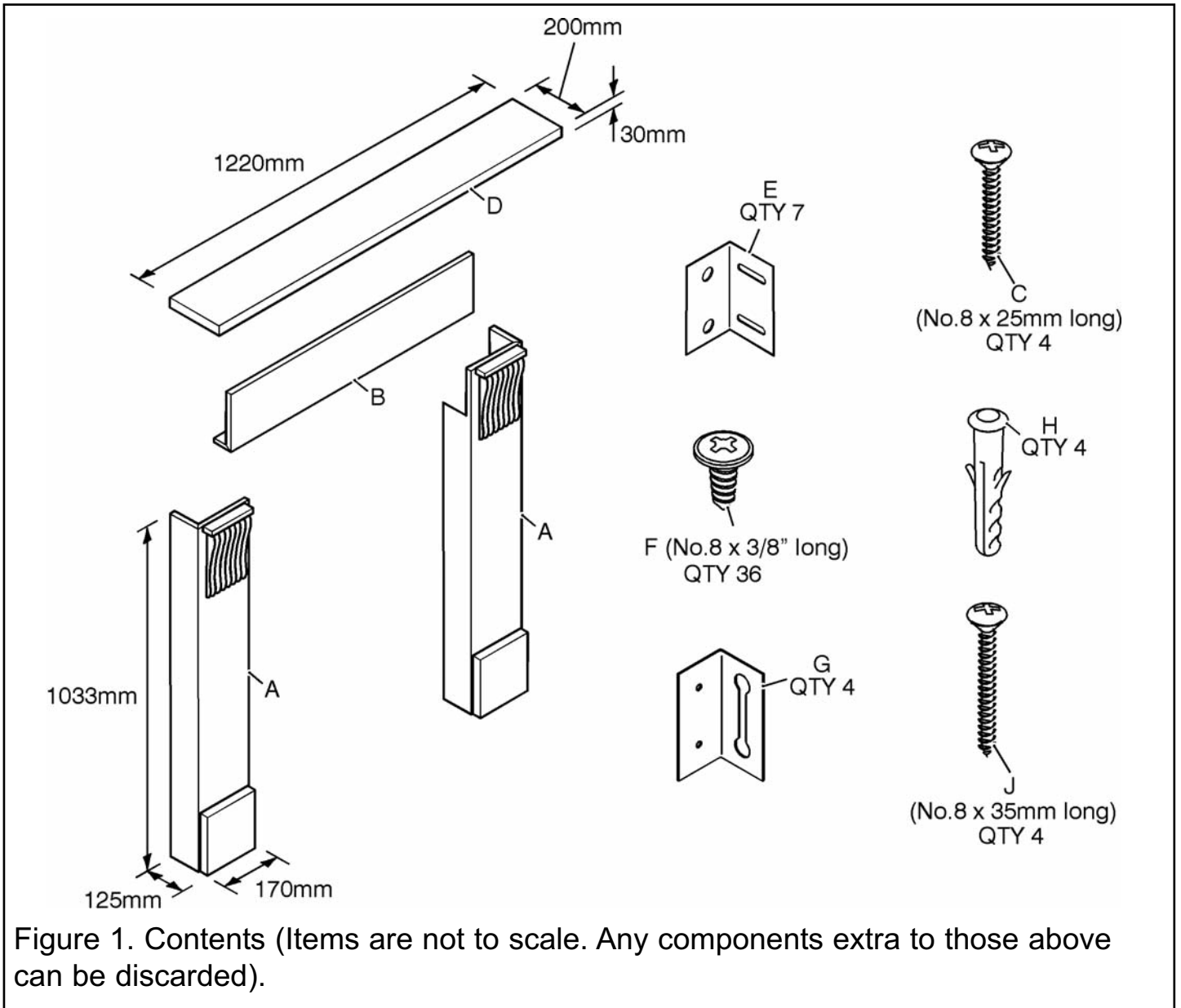
- The approximate lifting weights of the surround components are as below:

Side leg (As supplied)	7.5kg
Mantle top	7.5kg
fascia	3.5kg

- This suite is heavy. We therefore recommend that two people should be sufficient to lift it. If fitting or moving the suite alone we recommend the use of suitable lifting apparatus.
- When lifting always keep your back straight. Bend your legs and not your back.
- Avoid twisting at the waist. It is better to reposition your feet.
- Avoid upper body / top heavy bending. Always bend from the knees rather than the waist. Do not lean forward or sideways whilst handling.
- Always grip with the palm of the hand. Do not use the tips of fingers for support.
- Always keep the surround or hearth as close to the body as possible. This will minimise the cantilever action.
- Use gloves to provide additional grip.
- Always use assistance if required.

INSTALLATION GUIDE

CONTENTS



INSTALLATION GUIDE

FITTING THE SURROUND / MANTLE

The installation of this surround and hearth requires a reasonable level of DIY skills. Please read this guide thoroughly before commencing installation and if in doubt, seek help from a competent person.

Do I need any tools?

You will need the following tools:

- A Pozidrive / Phillips / cross head screwdriver. This should have a number 2 size tip.
- If drilling into brick work you will need a power drill (preferably with hammer action) and appropriate size drill bit for the wall plugs supplied.

How to assemble the Surround.

Step 1. Assembling the legs and fascia.

- Take the surround legs (A) and lie them on a flat level surface. Take fascia (B) and locate it to legs (A). Secure in place using the four screws (C) supplied (See figure 2).

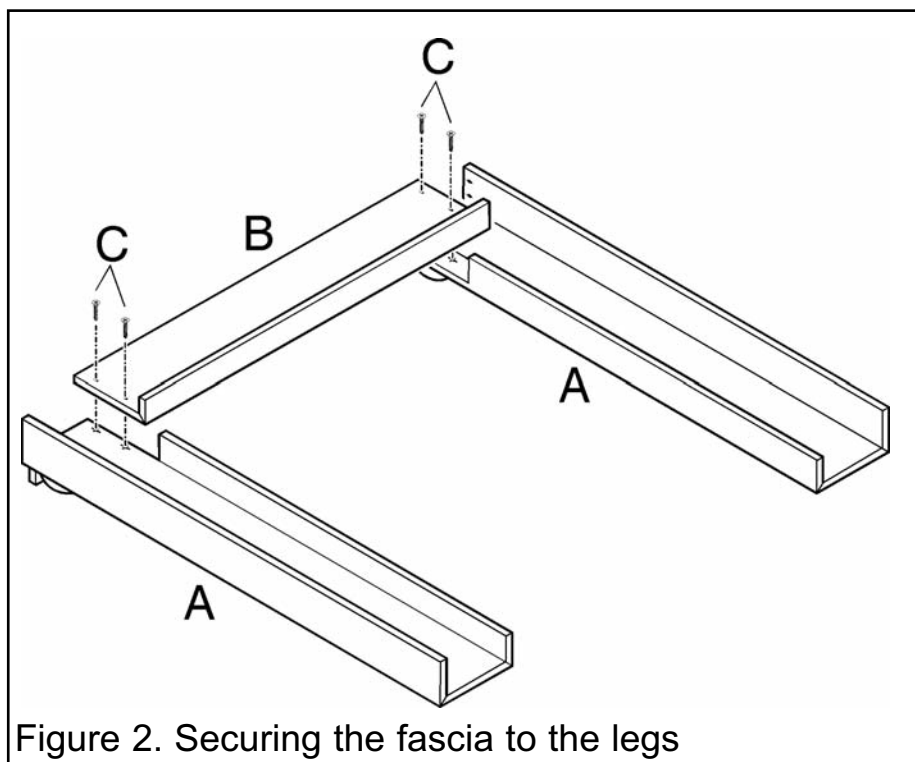


Figure 2. Securing the fascia to the legs

INSTALLATION GUIDE

Step 2. Fitting the brackets and surround top.

- Lay the surround top (D) face down on a flat, level surface. Supplied with the surround are seven brackets (E). Locate these as in figure 3 and secure using 14 (F) screws supplied. Fitting the top is made easier if the screws are not fully tightened, as this helps when locating the screws into the surround.

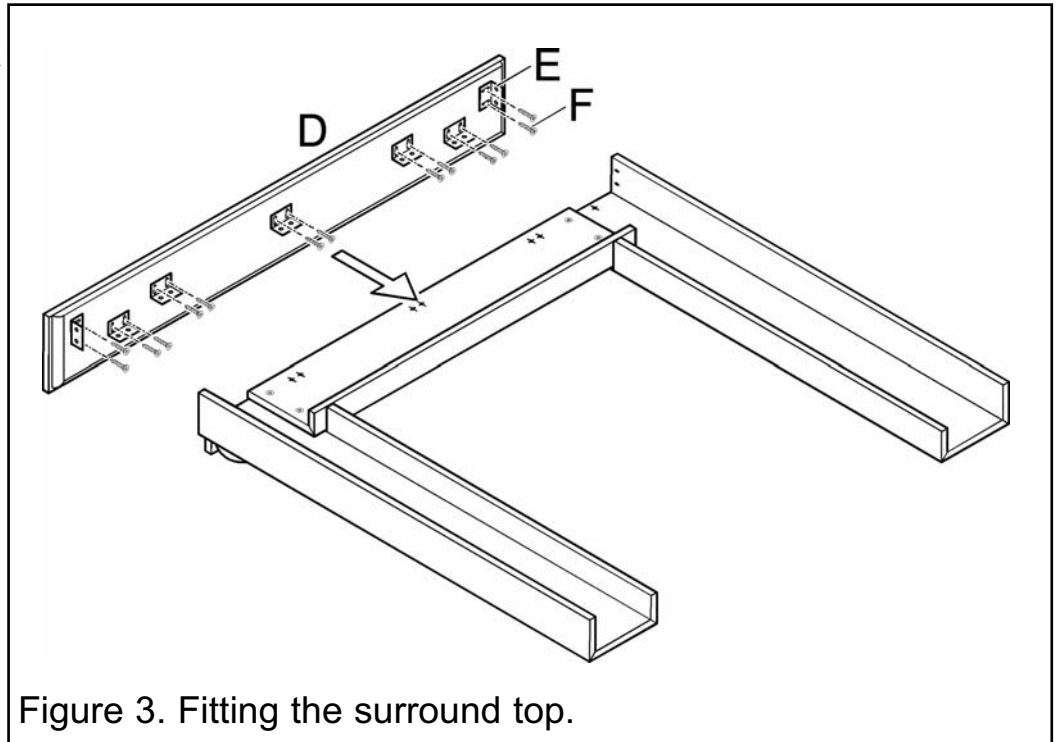


Figure 3. Fitting the surround top.

- Gently lift the surround and stand it

upright. We recommend a second person supports the surround. Locate the surround top. Secure in place using 14 (F) screws. Tighten all screws securing the top.

Step 3. Wall mounting brackets.

- Supplied with the surround are four wall mounting brackets (G). Locate these to the pre-drilled holes in the surround legs and secure using eight (F) screws (See figure 4).

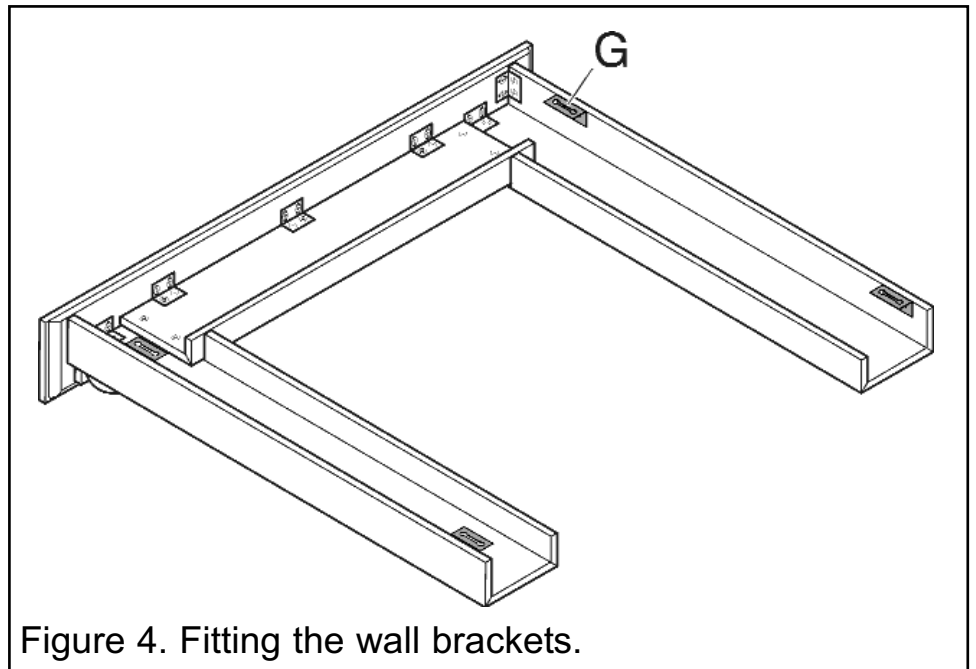


Figure 4. Fitting the wall brackets.

INSTALLATION GUIDE

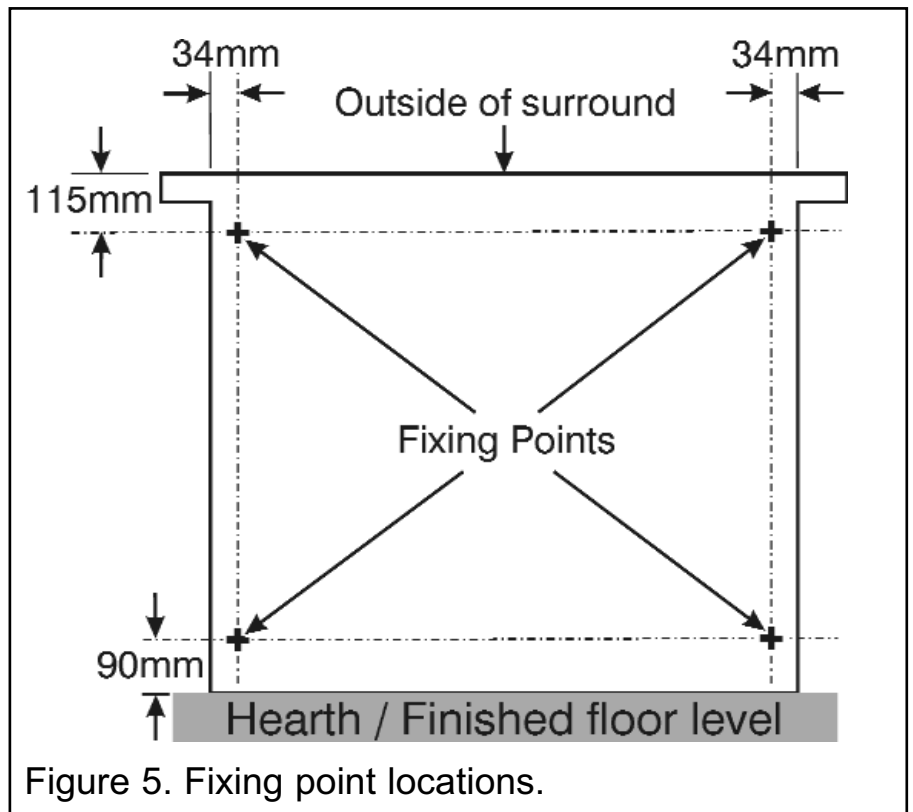
Step 4. Securing the surround.

There are four wall fixing points shown in figure 5. Mark the positions of the fixing points on the wall. Drill suitable sized holes at the fixing points for the wall plugs supplied. Insert four wall plugs (H). Insert four screws (J) leaving approximately 3mm between the wall surface and the rear of the screw head. Lift and position the surround / mantle into position. The screws can be adjusted to obtain the best fit. This will require removal of the surround / mantle.

Note: The wall plugs are only suitable for brick or block walls.

For timber framed walls

covered in plaster board we recommend the use of heavy duty cavity fixings.



Caring for your Surround / Mantle.

- DO wipe any spills off immediately to limit possibility of staining.
- DO clean regularly with a soft damp cloth.
- DO NOT use abrasive cleaners.
- DO NOT allow any acids or oils to come in contact with the marble or Granite (This includes cleaning solutions, vinegar, lemon juice, candle wax etc.).
- DO NOT allow prolonged exposure to water.

If you require further assistance, the Valor Fires Technical Helpline will be pleased to help.

Please telephone 0844 8711 565 (local rates apply in the United Kingdom). In the Republic of Ireland please telephone 0044 844 8711 565.

VALOR FIRES